

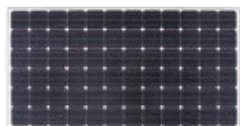
Solar Lithium AC/DC System

YOUR ECO-FRIENDLY PARTNER



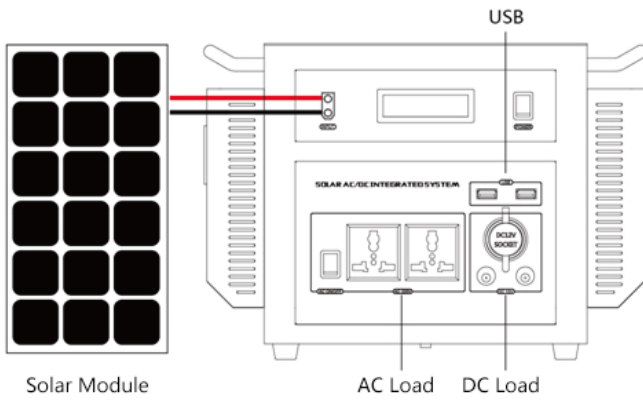
SLTK-OFG-ADC500Li/12

High efficiency
solar panels



Multi-function
protection





Configurations

Model	Solar Module	Battery	Standard Charging Hours	USB Output	DC Output	Max. Load Power Allowed	Dimension(mm)
SLTK-OFG-ADC500Li/12	150W 18V	12V,40Ah lithium battery	4.5h	5V 1A	12V,120w	500W	355*215*240

Features

- 1) Low dissipation, high efficiency, long term constant working.
- 2) Fitting with external practical standard interface, USB involved, can charge cellphones, MP3 directly.
- 3) Real-time display the power of battery, to keep tracking the battery condition.
- 4) Separate design with mini volume, easy to carry as portable outdoor power.
- 5) Safe and reliable, with high protection performance. Has the protection function for overload, short circuit, overheated, under voltage and overvoltage.
- 6) Reliable operation performance, noise and pollution free.



Solarie Technik GmbH

Tel:+49-4219601470

info@solarie-energy.com

Web:www.solarie-energy.com

Hermann-Kohl Str.7,28199 Bremen,GERMANY.